

USR-LG206-C User Manual

File Version: V1.0.9.01



Contents

USR-LG206-C User Manual	1
Features	3
1. Get Start	4
1.1. Product introduction.....	4
1.2. Basic parameters	4
1.3. Application diagram	5
2. Product function	6
2.1. Work mode	6
2.1.1. AT command mode	6
2.1.2. Active reporting mode	7
2.1.3. Polling waking mode	8
2.2. Data security.....	8
3. AT command.....	9
3.1. AT command return code.....	10
3.2. AT command set	10
3.3. AT command details	10
3.3.1. AT+ENTM.....	10
3.3.2. AT+E	10
3.3.3. AT+Z	11
3.3.4. AT+CFGTF	11
3.3.5. AT+RELD.....	11
3.3.6. AT+CLEAR.....	11
3.3.7. AT+VER	11
3.3.8. AT+UART.....	12
3.3.9. AT+MCU	12
3.3.10. AT+SPD	12
3.3.11. AT+NID	13
3.3.12. AT+AID.....	13
3.3.13. AT+CH	13
3.3.14. AT+PWR	14
4. Contact Us.....	14
5. Disclaimer	15
6. Update History	15

Features

- Adopt LoRa concentrator communication protocol.
- Support active reporting mode and polling waking mode
- Data encryption transmission.
- Support RS232/RS485 interface.
- Transmission distance: 2000 meters.
- Receiving sensitivity: -138.5dBm.
- Support AT command mode.
- Support hardware watchdog.
- 5~36V power supply.
- Support ESD protection.
- Support power supply anti-surge protection.
- Support RS485 anti-surge protection.

1. Get Start

If user has any question, please submit it back to customer center: h.usriot.com.

1.1. Product introduction

USR-LG206-C is half duplex LoRa serial server which supports LoRa concentrator communication protocol and can realize communication between user serial device and LoRa concentrator. USR-LG206-C working frequency band are: -L: 398~525MHz; -H: 803~930MHz. LG206-C transmits/receives data by serial and it can lower the wireless application threshold. LG206-C has concentrated power density, powerful anti-interference capacity and communication distance can reach 2000 meters(Open area, 5dBi antenna gain, height is greater than 2 meters, 2.5K air rate).

Model	Frequency
USR-LG206-L-C	398Mhz~525Mhz
USR-LG206-H-C	803Mhz~930Mhz

1.2. Basic parameters

Parameter	Value	
Wireless parameters	Frequency band	-L: 398~525MHz; -H: 803~930MHz
	Transmitting power	10dBm~20dBm
	Receiving sensitivity	-138.5dBm@0.268Kbps
	Transmission distance	2000 meters. Test condition: Open area, clear weather, 20dBm transmitting power, 5dBi antenna gain, height is greater than 2 meters, 2.5K air rate.
	Antenna	SMA
Hardware parameters	Data interface	Serial port: Support RS232/RS485. Baud rate: 1200bps~115200bps
	Working voltage	5~36V
	Working current	Transmitting current: 111mA@5V. Standby mode: 45mA@5V.
	Working temperature	-30℃ ~ +80℃
	Storage temperature	-45℃ ~ +90℃
	Working humidity	5~95%RH
	Storage humidity	1~95%RH

Figure 1 Basic parameters

1.3. Application diagram

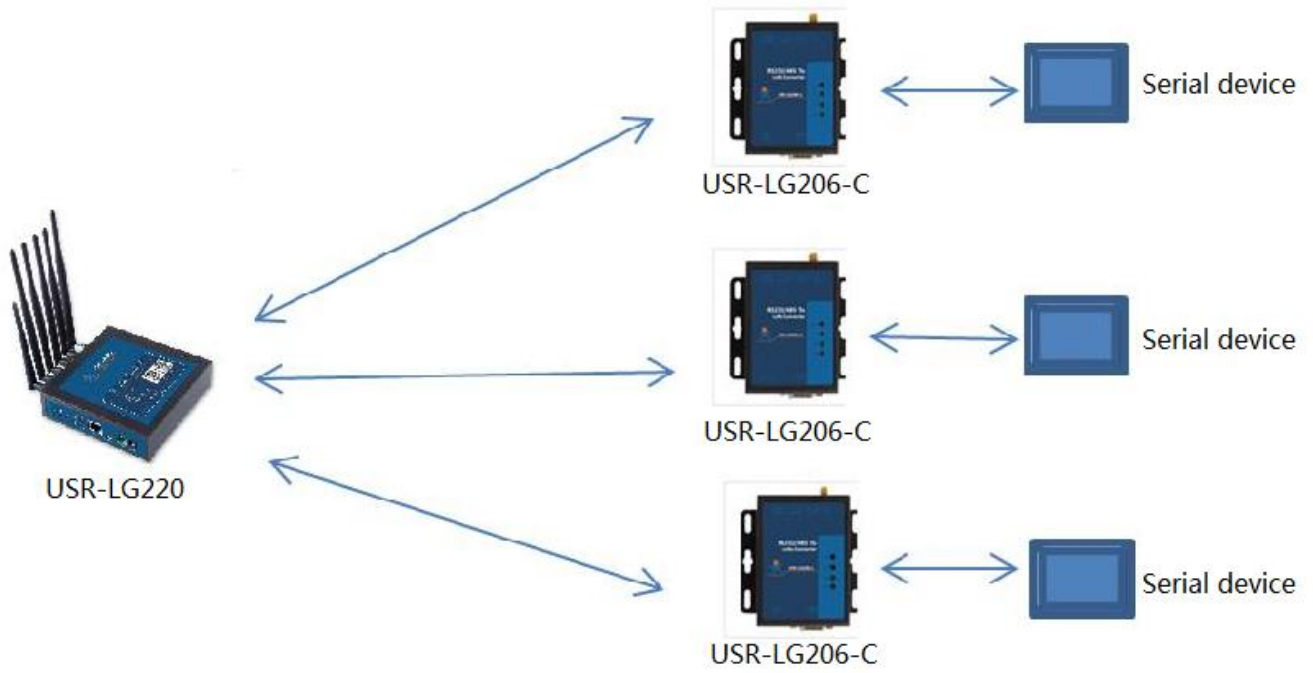


Figure 2 Application diagram

2. Product function

USR-LG206-C functional diagram as follow:

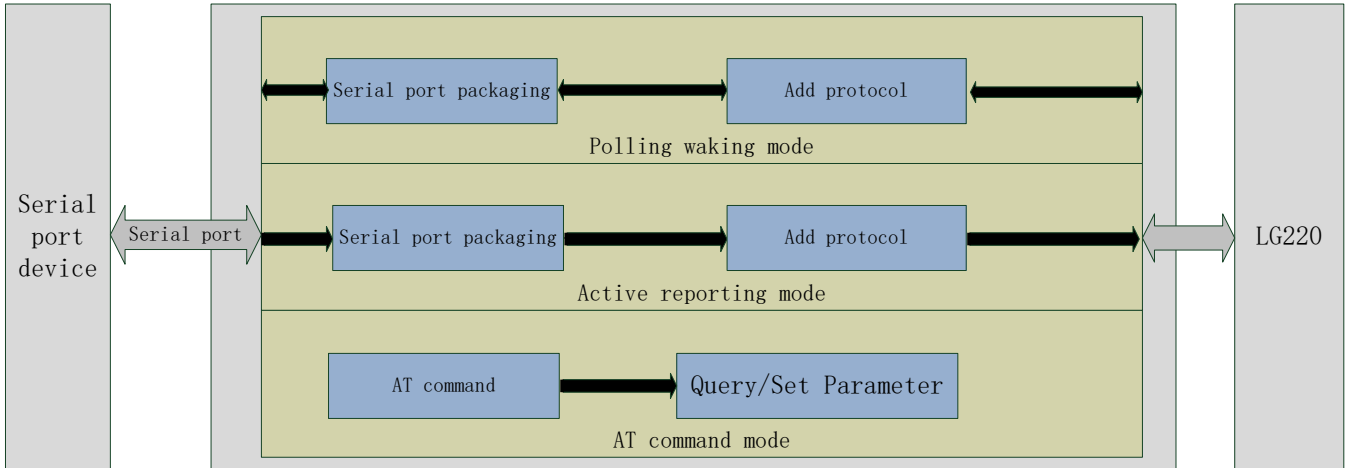


Figure 3 Functional diagram

Default parameters:

	Parameter	Default value
1	Rate	5
2	Device ID	ID code
3	Application ID	00000002
4	Serial port parameters	115200/8/N/1 RS485 mode
5	Transmitting power	20db
6	Waking up data	123456
7	Echo	Enable

Figure 4 Default parameters

2.1. Work mode

USR-LG206-C supports three work modes:

- AT command mode
- Active reporting mode
- Polling waking mode

Active reporting mode and polling waking mode are decided by work mode of LG220. LG206-C will acquire work mode after accessing LG220 network.

Note: Length of serial single data package can't exceed 200 bytes in active reporting mode and polling waking mode, otherwise the package will be discarded. AT command mode only supports single parse and no cache.

2.1.1. AT command mode

In AT command mode, user can send AT command to query/set LG206 parameters by serial. User can refer to **3. AT command** to enter AT command mode and send AT commands.

2.1.2. Active reporting mode

In active reporting mode, LG206-C will automatically access network and automatically report data according to slot time and period that configured by Web Server of LG220(Support uploading 200 bytes data at most). The advantages of this mode are: can realize networking without manual setting, adopts TDM technology which can avoid interference and power consumption is low.

Following four conditions should be met to realize communication:

- Set concentrator LG220 into node active reporting mode.
- Concentrator LG220 administration channel(channel 1) and LG206-C have same channel
- Concentrator LG220 administration channel(channel 1) and LG206-C have same rate.
- Concentrator LG220 administration channel(channel 1) and LG206-C have same application ID.

Note: LG206-C has unique node ID. LG206-C in same system(Concentrator LG220 communicates with multiple devices) have same application ID as LG220.

In active reporting mode, working process as follow: power on LG206-C, LG206-C accesses concentrator network, check time, LG206-C transmits waking up data to inform external serial device according to second report interval that configured by LG220, serial device transmits data to LG206-C after receiving waking up data, LG206-C reports data to concentrator LG220 after receiving serial data. Application diagram as follow:

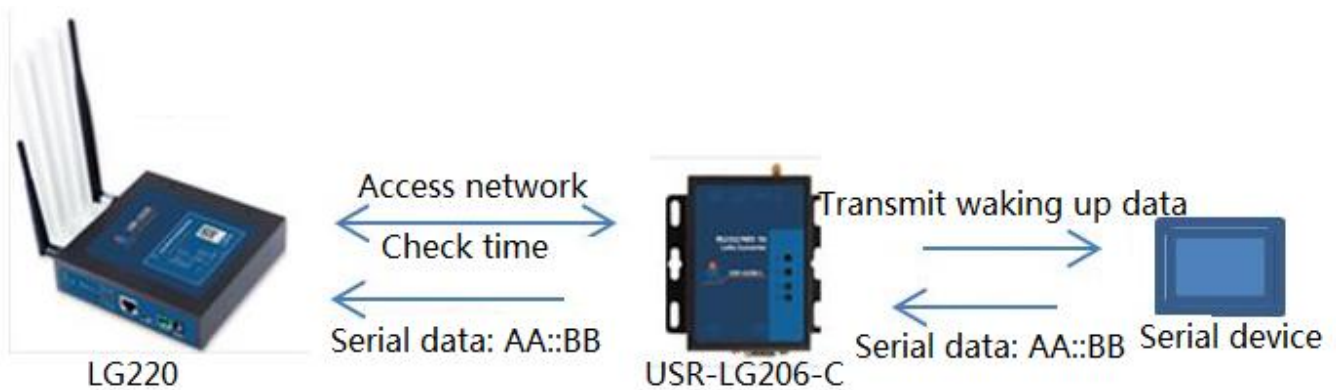


Figure 5 Active reporting mode

Note: If external serial device transmits data to LG206-C without receiving waking up data, LG206-C will also report data to concentrator LG220. But this situation may cause data collision and influence system performance.

Related AT command:

	Command	Function
1	SPD	Query/Set LoRa air rate level
2	CH	Query/Set channel
3	NID	Query/Set node ID(device address)
4	AID	Query/Set application ID(application address)
5	MCU	Query/Set waking up data

Figure 6 Active reporting mode AT commands

2.1.3. Polling waking mode

In polling waking mode, LG206-C will automatically access network after powering on. Concentrator LG220 will poll LG206-C in network according to interval that configured by Web Server of LG220 and LG206-C will transmit polling data to external serial device by transparent transmission after receiving polling data from LG220. If external serial device has response data, LG206-C will transmit response data to LG220 by transparent transmission (Length of single response data package can't exceed 200 bytes and don't support multiple response).

Following four conditions should be met to realize communication:

- Set concentrator LG220 into polling waking mode.
- Concentrator LG220 administration channel(channel 1) and LG206-C have same channel.
- Concentrator LG220 administration channel(channel 1) and LG206-C have same rate.
- Concentrator LG220 administration channel(channel 1) and LG206-C have same application ID.

Note: LG206-C has unique node ID. LG206-C in same system (Concentrator LG220 communicates with multiple devices) have same application ID as LG220.

In polling waking mode, working process as follow: set waking up period and polling data by Web Server of LG220, LG206-C that be polled will transmit polling data to external serial device by transparent transmission, then external serial device can return response data (Length of single response data package can't exceed 200 bytes) or doesn't handle polling data. Application diagram as follow:

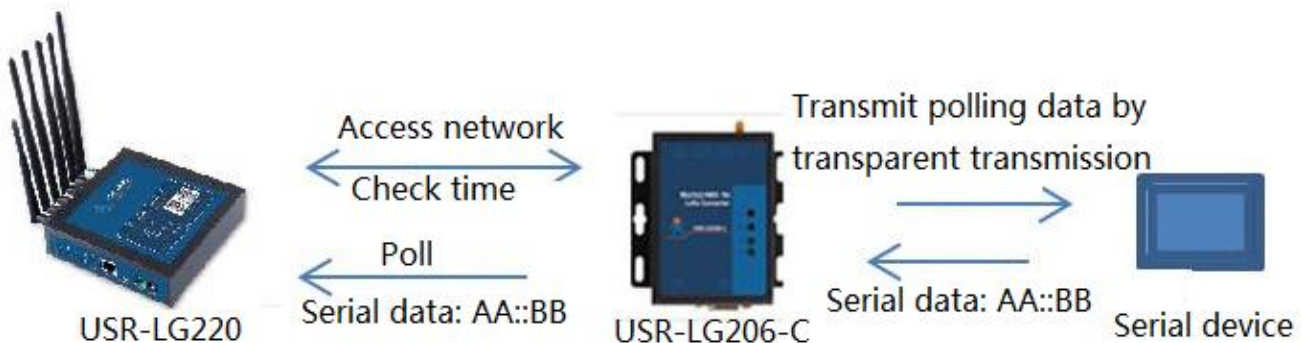


Figure 7 Polling waking mode

Note: If external serial device transmits data to LG206-C without receiving polling data, LG206-C will also report data to concentrator LG220. But this situation may cause data collision and influence system performance.

Related AT command:

	Command	Function
1	SPD	Query/Set LoRa air rate level
2	CH	Query/Set channel
3	NID	Query/Set node ID(device address)
4	AID	Query/Set application ID(application address)

Figure 8 Polling waking mode AT command

2.2. Data security

LG206-C will encrypt data to make data transmission more secure.

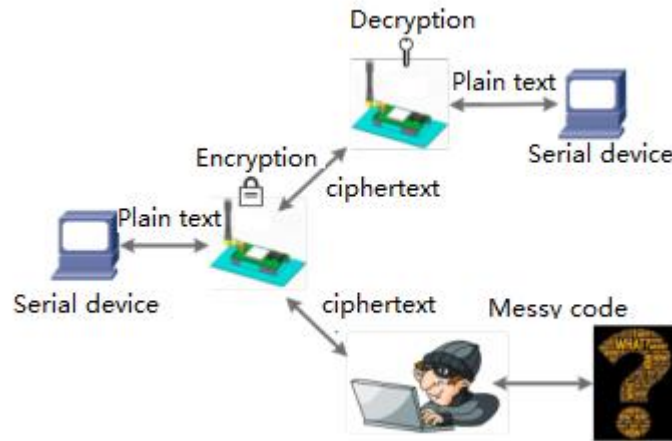


Figure 9 Data security

3. AT command

User can refer to <https://www.usriot.com/support/faq/enter-serial-command-mode.html> to enter AT

command mode.

3.1. AT command return code

Return code	Description
OK	Successful response
ERR-1	Invalid command format
ERR-2	Invalid command
ERR-3	Invalid operator
ERR-4	Invalid parameter
ERR-5	Operation is not allowed

3.2. AT command set

Number	Command	Function
Basic command		
1	ENTM	Exit AT command mode.
2	E	Query/Set AT command echo function enable/disable.
3	Z	Restart LG206.
4	CFGTF	Save current settings as default settings.
5	RELD	Reset to default settings.
6	CLEAR	Reset to factory settings.
7	VER	Query firmware version
8	UART	Query/Set serial port parameters.
9	MCU	Query/Set waking up data
LoRa command		
10	SPD	Query/Set rate level
11	NID	Query/Set node ID(device address)
12	AID	Query/Set application ID(application address)
13	CH	Query/Set channel.
14	PWR	Query/Set transmitting power.

3.3. AT command details

3.3.1. AT+ENTM

Format	
Set	AT+ENTM<CR>
Return	<CR><LF><CR><LF>OK<CR><LF>

3.3.2. AT+E

Parameter	Description	Default Value	Range
<Status>	Status of AT command Echo function	ON	ON/OFF

Format	
Query	AT+E<CR>
Return	<CR><LF>OK=<Status><CR><LF>
Set	AT+E=<Status><CR>
Return	<CR><LF><CR><LF>OK<CR><LF>

3.3.3. AT+Z

Format	
Set	AT+Z<CR>
Return	<CR><LF>OK<CR><LF>

3.3.4. AT+CFGTF

Format	
Set	AT+CFGTF<CR>
Return	<CR><LF>+CFGTF:SAVED<CR><LF><CR><LF>OK<CR><LF>

3.3.5. AT+RELD

Format	
Set	AT+RELD<CR>
Return	<CR><LF>REBOOTING<CR><LF>

3.3.6. AT+CLEAR

Format	
Set	AT+CLEAR<CR>
Return	<CR><LF>REBOOTING<CR><LF>

3.3.7. AT+VER

Parameter	Description
<VER>	Firmware version
Format	
Query	AT+VER<CR>
Return	<CR><LF>+VER:<VER><CR><LF><CR><LF>OK<CR><LF>

3.3.8. AT+UART

Parameter	Description	Default Value	Range
<Baud rate>	Baud rate	115200	1200, 2400, 4800, 9600, 19200, 38400, 57600, 115200
<Data bits>	Data bits	8	8
<Stop bits>	Stop bits	1	1, 2
<Parity>	Parity	NONE	NONE, EVEN, ODD
<Flow Control>	Flow Control	485	NFC: No flow control
			485: Enable RS485
Format			
Query	AT+UART<CR>		
Return	<CR><LF>+UART:<Baud rate>,<Data bits>,<Stop bits>,<Parity><Flow Control><CR><LF><CR><LF>OK<CR><LF>		
Set	AT+UART=<Baud rate>,<Data bits>,<Stop bits>,<Parity><Flow Control><CR>		
Return	<CR><LF><CR><LF>OK<CR><LF>		

3.3.9. AT+MCU

Parameter	Description	Default Value	Range
<Data>	Waking up data	123456	
<Style>	Data format	ascii	ascii, hex
Format			
Query	AT+MCU<CR>		
Return	<CR><LF>+MCU:<Data>,<Style><CR><LF><CR><LF>OK<CR><LF>		
Set	AT+MCU=<Data>,<Style><CR>		
Return	<CR><LF><CR><LF>OK<CR><LF>		

3.3.10. AT+SPD

Parameter	Description	Default Value	Range
<Class>	LoRa air rate level	10	0: 146bps

			1: 268bps
			2: 488bps
			3: 537bps
			4: 878bps
			5: 977bps
			6: 1758bps
			7: 3125bps
			8: 6250bps
			9: 10937bps
			10: 21875bps
Format			
Query	AT+SPD<CR>		
Return	<CR><LF>+SPD:<Class><CR><LF><CR><LF>OK<CR><LF>		
Set	AT+SPD=<Class><CR>		
Return	<CR><LF><CR><LF>OK<CR><LF>		

3.3.11. AT+NID

Parameter	Description	Range
<ADDR>	Node ID	0~FFFFFFFF
Format		
Query	AT+NID<CR>	
Return	<CR><LF>+NID:<ADDR><CR><LF><CR><LF>OK<CR><LF>	
Set	AT+NID=<ADDR><CR>	
Return	<CR><LF><CR><LF>OK<CR><LF>	

3.3.12. AT+AID

Parameter	Description	Default Value	Range
<ADDR>	Application ID	00000002	0~FFFFFFFF
Format			
Query	AT+AID<CR>		
Return	<CR><LF>+AID:<ADDR><CR><LF><CR><LF>OK<CR><LF>		
Set	AT+AID=<ADDR><CR>		
Return	<CR><LF><CR><LF>OK<CR><LF>		

3.3.13. AT+CH

Parameter	Description	Range
<Channel>	Channel	0~127. Working frequency band=(398+<Channel>)MHz

Format	
Query	AT+CH<CR>
Return	<CR><LF>+CH:<Channel><CR><LF><CR><LF>OK<CR><LF>
Set	AT+CH=<Channel><CR>
Return	<CR><LF><CR><LF>OK<CR><LF>

3.3.14. AT+PWR

Parameter	Description	Default Value	Range
<Status>	Transmitting power	20dbm	10dBm~20dBm
Format			
Query	AT+PWR<CR>		
Return	<CR><LF>+PWR:<Status><CR><LF><CR><LF>OK<CR><LF>		
Set	AT+PWR=<Status><CR>		
Return	<CR><LF><CR><LF>OK<CR><LF>		

4. Contact Us

Company: Jinan USR IOT Technology Limited

Address: Floor 11, Building 1, No. 1166 Xinluo Street, Gaoxin District, Jinan, Shandong, 250101, China

Web: www.usriot.com

Support: h.usriot.com

Email: sales@usr.cn

Tel: 86-531-88826739/86-531-55507297

5. Disclaimer

This document provides the information of USR-LG206-C products, it hasn't been granted any intellectual property license by forbidding speak or other ways either explicitly or implicitly. Except the duty declared in sales terms and conditions, we don't take any other responsibilities. We don't warrant the products sales and use explicitly or implicitly, including particular purpose merchant-ability and marketability, the tort liability of any other patent right, copyright, intellectual property right. We may modify specification and description at any time without prior notice.

6. Update History

2018-05-09 V1.0.9.01 established based on Chinese version V1.0.9.